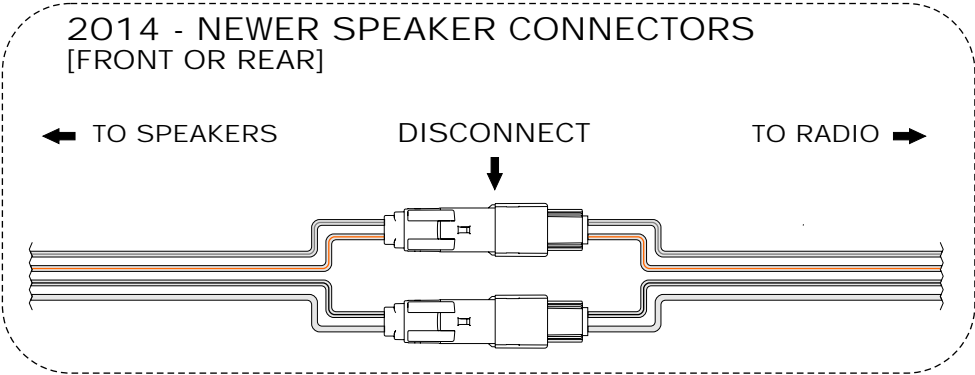
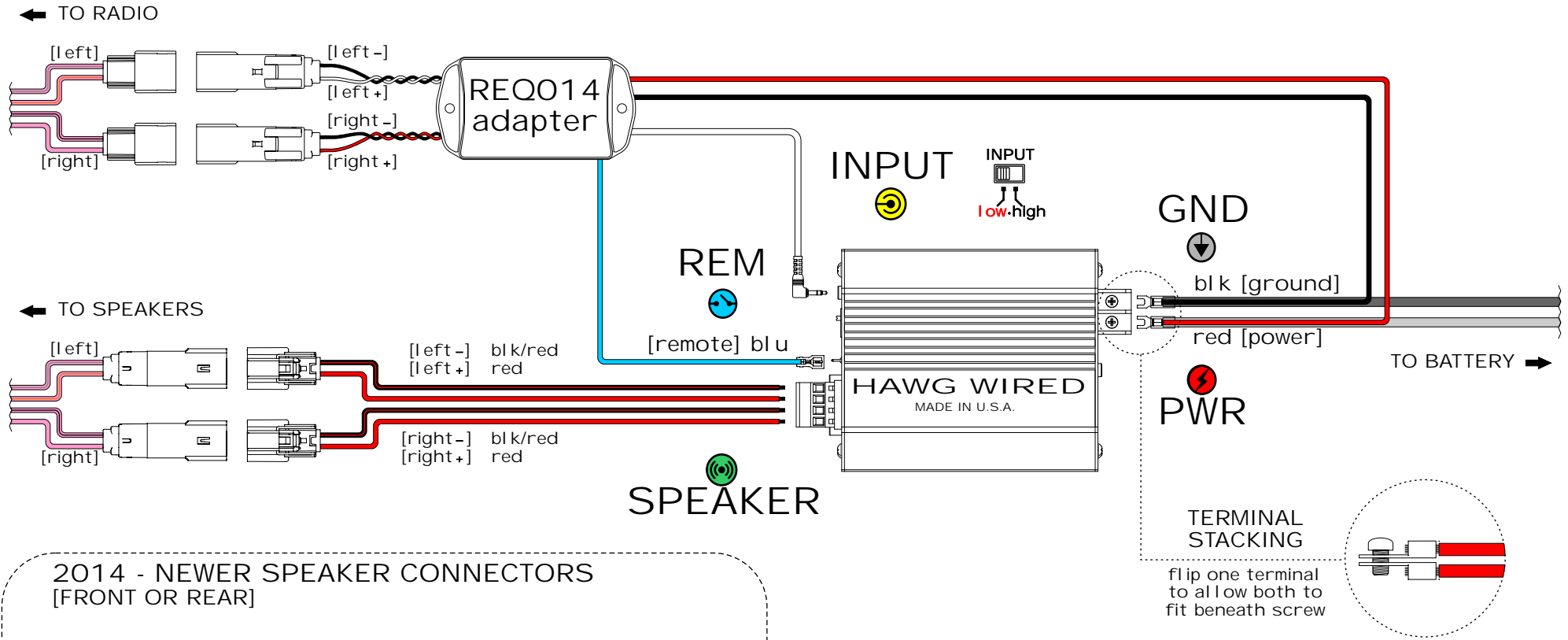


# REQ014 WIRING DIAGRAM



for detailed instructions and more information, visit us on the web at [hawg-wired.com](http://hawg-wired.com)

## REQ014 - LEGEND

- +12v [battery positive]
- ground [chassis]
- +12v remote turn-on
- source input
- speaker out

## 2014 - NEWER WIRE COLORS

### FRONT SPEAKER WIRE COLORS

- Front Right + PINK [PK]
- Front Right - PINK/BLACK [PK/BK]
- Front Left + PINK/ORANGE [PK/O]
- Front Left - PINK/GRAY [PK/GY]