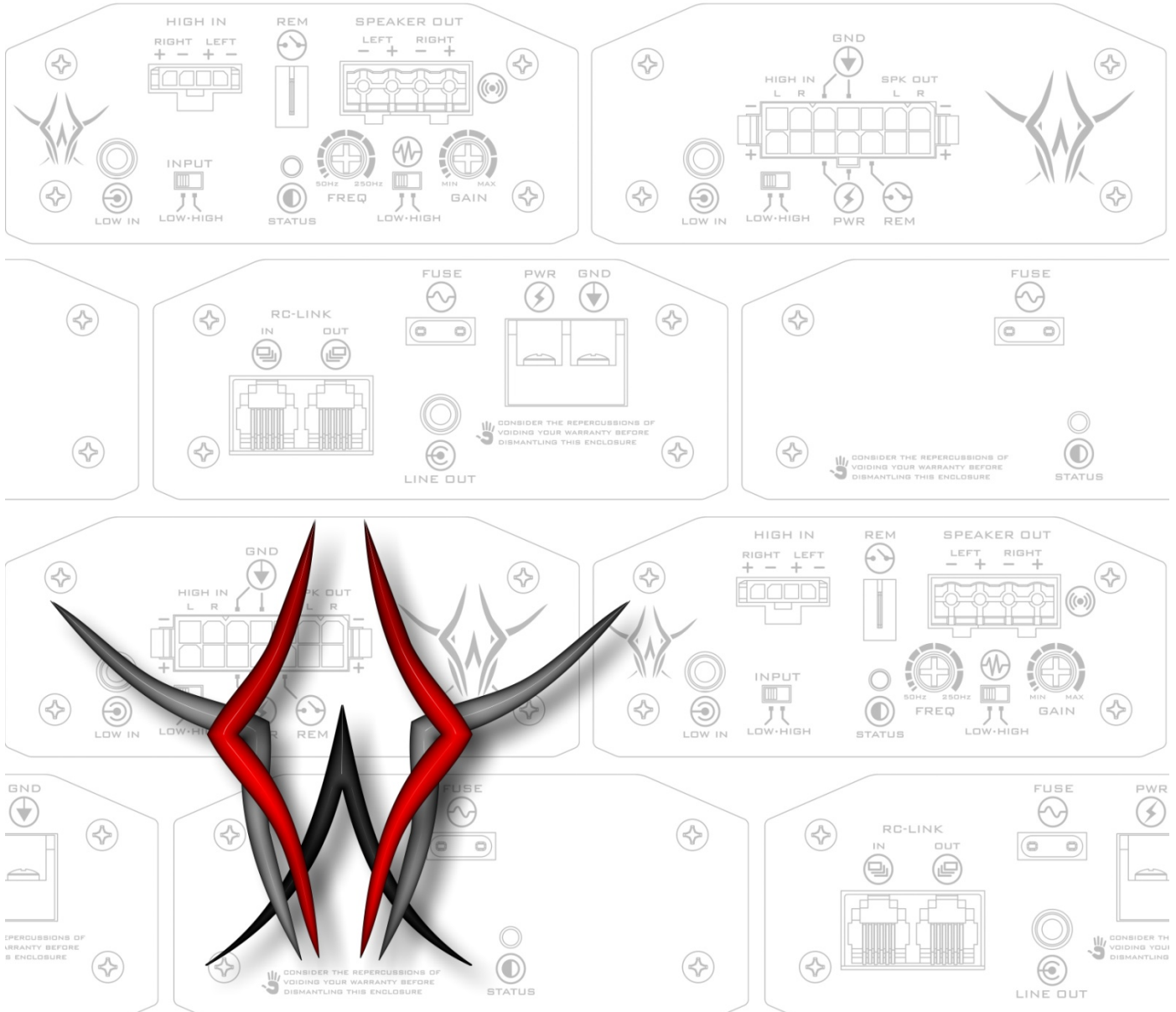


DESIGNED AND BUILT IN THE U.S.A.
HAWG WIRED

HUA360

HARLEY UNIVERSAL ADAPTER



INSTALLATION GUIDE

KIT CONTENTS

KIT ITEMS INCLUDED (BY QUANTITY):

	HUA360
HARLEY UNIVERSAL ADAPTER	1
TERMINAL BLOCK PLUG	1
SMALL VELCRO PAD	1
8" BLACK ZIP TIE	2

BEFORE YOU BEGIN








THIS SECTION IS INTENDED TO BRING YOU UP TO SPEED WITH OUR DOCUMENTATION CONVENTIONS. WE RECOMMEND READING THIS MANUAL THOROUGHLY BEFORE BEGINNING YOUR INSTALLATION TO ACHIEVE A TROUBLE FREE, LONG LASTING OUTCOME.

TERMINOLOGY USED IN THIS MANUAL:

SOURCE UNIT	REFERS TO THE DEVICE THAT SUPPLIES THE AMPLIFIER WITH AUDIO INPUT, TYPICALLY YOUR RADIO, HEAD UNIT, MEDIA DEVICE, ETC.
TERMINAL BLOCK	REFERS TO THE CONNECTORS UTILIZED BY THE HUA360 ADAPTER FOR MAKING CONNECTIONS TO THE SOURCE UNIT. THE BLACK 4 PIN CONNECTOR.
TERMINAL PLUG	SPECIFICALLY THE REMOVABLE END OF THE TERMINAL BLOCK CONNECTOR. THE LOOSE BLACK CONNECTOR WITH SCREWS AND WIRE RECEPTACLES IN THE KIT.
HAND CONTROLS	HANDLE BAR MOUNTED HARLEY-DAVIDSON® RADIO CONTROLS. THE BUTTONS YOU PUSH TO CHANGE THINGS ON THE RADIO,
STEERING WHEEL CONTROLS	REFERS TO THE REMOTE CONTROL PORT OR WIRE THAT RADIO MANUFACTURERS PROVIDE FOR CONNECTING AUTOMOTIVE HAND CONTROLS. THE HUA360 ADAPTER IS DESIGNED TO CONVERT HAND CONTROLS TO FUNCTION WITH THIS FEATURE.
MANUFACTURER INSTRUCTIONS	REFERS TO ANY DOCUMENTATION PROVIDED BY A MANUFACTURER OTHER THAN HAWG WIRED (IE. HARLEY-DAVIDSON® SHOP REPAIR MANUAL, AFTERMARKET SOURCE UNIT OR SPEAKER MANUAL, ETC.).

QUICK CONNECT SYMBOLS:

KEEP AN EYE OUT FOR THE "QUICK CONNECT" SYMBOLS THROUGHOUT THIS MANUAL; THEY PROVIDE A VISUAL LINK BETWEEN INSTRUCTIONS, DIAGRAMS, AND THE SYSTEM COMPONENTS.

BATTERY		BATTERY POSITIVE (+12VDC)
GROUND		BATTERY NEGATIVE (-), CHASSIS GROUND
IGNITION		SWITCHED IGNITION (+12VDC)
REMOTE		SINGLE WIRE REMOTE PORT (USED WHEN 3.5MM INPUT IS NOT AVAILABLE)
STATUS		HUA ADAPTER STATUS, POWER ON SETTING INDICATOR
DIP SWITCH		SOURCE UNIT SELECTION SWITCHES
TERMINAL BLOCK / PLUG		TERMINAL BLOCK CONNECTIONS FOR POWER/GROUND/REMOTE

NOTE: IF ANYTHING ABOUT THE INSTRUCTION OR INFORMATION PROVIDED IN THIS MANUAL IS UNCLEAR, QUESTIONABLE, OR YOU THINK WE'RE DEAD WRONG ABOUT SOMETHING, PLEASE CONTACT US.

INSTALLATION INSTRUCTIONS

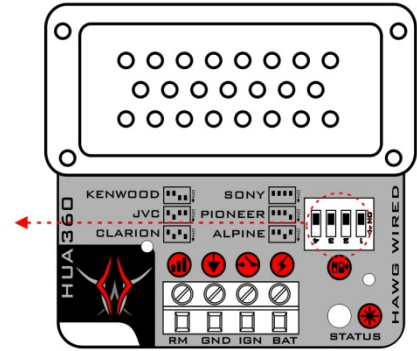
CONFIGURING THE UNIVERSAL ADAPTER



1. WITH POWER OFF, DETERMINE THE BRAND OF SOURCE UNIT YOU ARE INSTALLING AND CONFIGURE THE SELECTION DIP SWITCH ACCORDING TO THE FOLLOWING TABLE:

NOTE: REFER TO ENCLOSED **READ THIS FIRST** PAGE FOR UP-TO-DATE BRAND/MODEL SPECIFIC ISSUES.

SOURCE UNIT	SWITCH SETTING	SOURCE UNIT	SWITCH SETTING
SETTING 1: SONY		SETTING 4: KENWOOD	
SETTING 2: PIONEER		SETTING 5: JVC	
SETTING 3: ALPINE		SETTING 6: CLARION	



THE DIP SWITCH IS COVERED BY A PROTECTIVE MEMBRANE. THE SWITCHES CAN BE TOGGLED ON/OFF WITH THE MEMBRANE INTACT, OR IF DESIRED THE MEMBRANE CAN BE REMOVED WITH TWEEZERS OR NEEDLE NOSE PLIERS.

WIRING THE UNIVERSAL ADAPTER

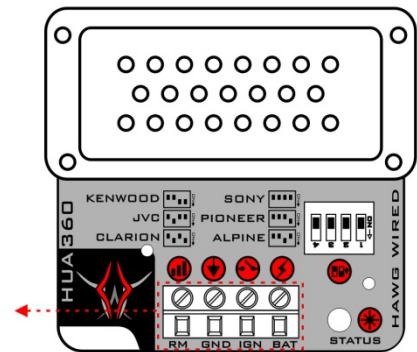


2. IDENTIFY AND CONNECT THE FOLLOWING WIRES FROM YOUR SOURCE UNIT HARNESS (SUPPLIED WITH SOURCE UNIT) TO THE APPROPRIATE HUA360 TERMINAL BLOCK PLUG:

POWER TERMINAL BLOCK

TERMINAL	NAME	FUNCTION	TYPICAL
BAT	BATTERY	CONSTANT +12V	YELLOW
IGN	IGNITION	SWITCHED +12V	RED
GND	GROUND	CHASSIS GND	BLACK
RM*	REMOTE	REMOTE OUTPUT	BLUE/YEL

*ONLY USED WITH SINGLE WIRE RADIOS THAT DON'T PROVIDE A 3.5MM JACK FOR STEERING WHEEL CONTROL INPUT (EG. KENWOOD)



BY CUTTING ALL OF THE SOURCE UNIT WIRES USED TO ONE LENGTH FIRST, IT CAN MAKE THE FINAL HARNESS INSTALLATION THAT MUCH CLEANER AND EASIER TO SECURE SAFELY. DOUBLE-CHECKING THE SETTINGS/WIRING ON THIS PAGE CAN ALSO SAVE YOU A LOT OF HAIR PULLING LATER ON IF YOU HAVE PROBLEMS WITH THE SOURCE UNIT.

INSTALLATION INSTRUCTIONS [CONTINUED]

MAKING THE CONNECTIONS

 IF YOU'RE USING OUR BEZEL/CRADLE INSTALLATION PARTS, NOW WOULD BE A GOOD TIME TO MOUNT THE SOURCE UNIT INTO THE BEZEL/CRADLE, AND TO INSTALL THE ENTIRE ASSEMBLY INTO YOUR FAIRING.

 3. CONNECT THE FACTORY AUDIO HARNESS TO THE ADAPTER (A).

 4. CONNECT THE POWER TERMINAL BLOCK (C) TO THE ADAPTER.

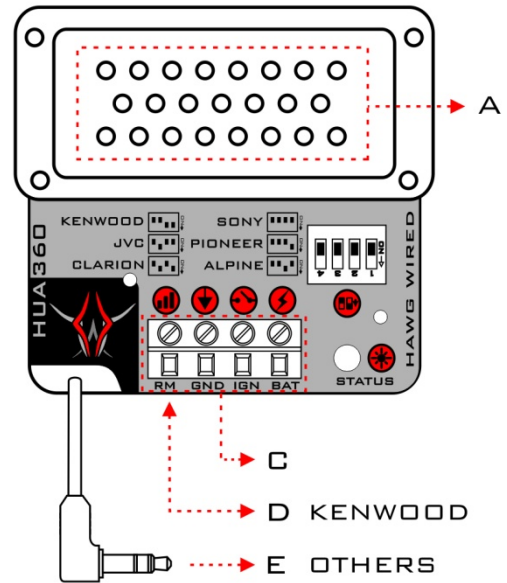


5. CONNECT THE REMOTE JACK (D OR E) TO THE SOURCE UNIT.

TIP: FOR KENWOOD OR OTHER SINGLE WIRE RADIOS, USE THE REMOTE TERMINAL TO CONNECT THE STEERING WHEEL REMOTE WIRE (D). FOR ALL OTHERS, MAKE SURE THE 3.5MM JACK IS INSERTED COMPLETELY WITH THE PIGTAIL UPWARD OR LINED UP TO ANY CUTOOUT PROVISION.

6. CONNECT THE SOURCE UNIT HARNESS CONNECTOR TO THE BACK OF THE SOURCE UNIT.

7. SECURE ALL LOOSE WIRES WITH SUPPLIED ZIP TIES, INSURING NOTHING WILL COME LOOSE OR BE PINCHED BY INSTALLING THE OUTER THE FAIRING COVER.



TESTING THE SYSTEM

8. PERFORM A BASIC POWER UP TEST. TURN THE KEY TO THE ACCESSORY POSITION AND VERIFY THAT THE HUA ADAPTER LED FLASHES THE NUMBER OF TIMES THAT CORRELATES WITH THE SOURCE UNIT SELECTION DIP SWITCH CHART (**SEE PAGE 3**, ONCE FOR SONY, TWICE FOR PIONEER, ETC.). IF NOT, PROCEED DIRECTLY TO “TROUBLESHOOTING” IN THE **USER GUIDE** SECTION.

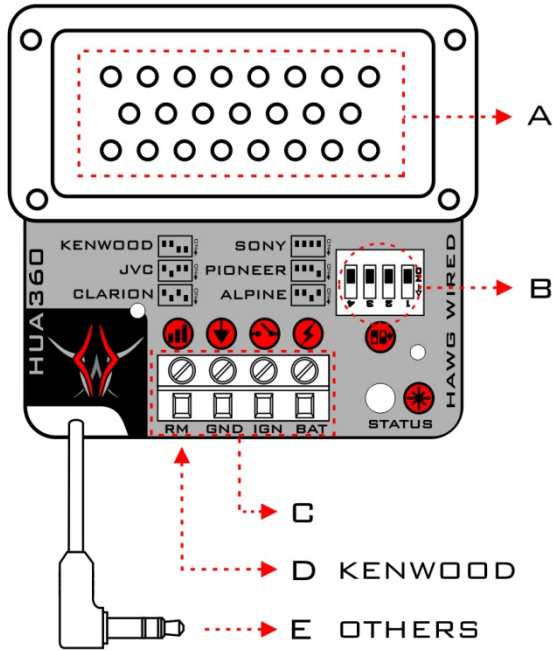
9. PERFORM A BASIC SYSTEM TEST. WITH THE KEY STILL IN THE ACCESSORY POSITION, VERIFY THAT THE SOURCE UNIT POWERS UP AND THE HAND CONTROLS FUNCTION PROPERLY. IF NOT, PROCEED DIRECTLY TO “TROUBLESHOOTING” IN THE **USER GUIDE** SECTION.

WRAPPING IT UP

10. BUNDLE AND SECURE YOUR WIRING AND ADAPTER PROPERLY TO AVOID PROBLEMS DOWN THE ROAD. USING THE SUPPLIED ZIP TIES AND VELCRO IS THE BEST WAY TO SECURE THE ADAPTER AND ITS WIRING IN PLACE. ALSO TAKE THE TIME TO SHOW OFF YOUR NEW SYSTEM TO YOUR FRIENDS, LETTING THEM KNOW JUST HOW SIMPLE THE INSTALL WAS TO ACCOMPLISH, AND HOW JEALOUS THEY ALL SHOULD BE.

USER GUIDE

CONNECTORS DEFINED



PLANNING YOUR SYSTEM CONFIGURATION IS THE FIRST STEP TOWARDS HI-FI HAPPINESS, AND IT'S TIME YOU GET FAMILIAR WITH ALL THE BELLS AND WHISTLES OF YOUR NEW SOURCE UNIT ADAPTER. THE TABLE BELOW LISTS THE CONNECTOR INTERFACES OF THE HUA360 ADAPTER.

A	FACTORY AUDIO HARNESS CONNECTOR
B	RADIO BRAND SELECTION SWITCHES
C	POWER TERMINAL BLOCK
D	SINGLE-WIRE REMOTE CONTROL CONNECTION
E	3.5MM REMOTE CONTROL CONNECTION

USER GUIDE [CONTINUED]

HAND CONTROLS DEFINED



1. THE FOLLOWING TABLES LIST THE COMMAND FUNCTIONS ASSIGNED TO EACH HAND CONTROL FOR THE GIVEN SOURCE UNIT BRAND. THE **(HOLD)** COLUMN DESIGNATES THE FUNCTION ACHIEVED BY HOLDING THE BUTTON DOWN FOR 1 SECOND.

HAND CONTROL SWITCHES - LEFT HAND (CLUTCH)				
SOURCE UNIT	+	-	AUDIO	AUDIO (HOLD)
SONY	VOLUME +	VOLUME -	ENTER/SELECT	
PIIONEER	VOLUME +	VOLUME -	BAND	
ALPINE	VOLUME +	VOLUME -	ENTER/PLAY	
KENWOOD	VOLUME +	VOLUME -	SELECT	
JVC	VOLUME +	VOLUME -	SELECT	
CLARION	VOLUME +	VOLUME -	BAND	

*FLTR/FLHTCU ONLY	HAND CONTROL SWITCHES - LEFT HAND (CLUTCH)			
SOURCE UNIT	SQ+	SQ-	PTT	PTT (HOLD)
SONY	BAND	DISPLAY	MUTE	
PIIONEER			MUTE	
ALPINE	PRESET +	PRESET -	MUTE	
KENWOOD	FM/DISC +	AM/DISC -	MUTE	
JVC	PRESET +	BAND	MUTE	
CLARION			MUTE	

HAND CONTROL SWITCHES - RIGHT HAND (THROTTLE)				
SOURCE UNIT	UP	DN	MODE SEL	MODE (HOLD)
SONY	TRACK/SEEK +	TRACK/SEEK -	SOURCE	
PIIONEER	TRACK/SEEK +	TRACK/SEEK -	SOURCE	POWER ON/OFF
ALPINE	TRACK +	TRACK -	SOURCE	
KENWOOD	TRACK +	TRACK -	SOURCE	
JVC	SEEK +	SEEK -	SOURCE	
CLARION	TRACK +	TRACK -	SOURCE	

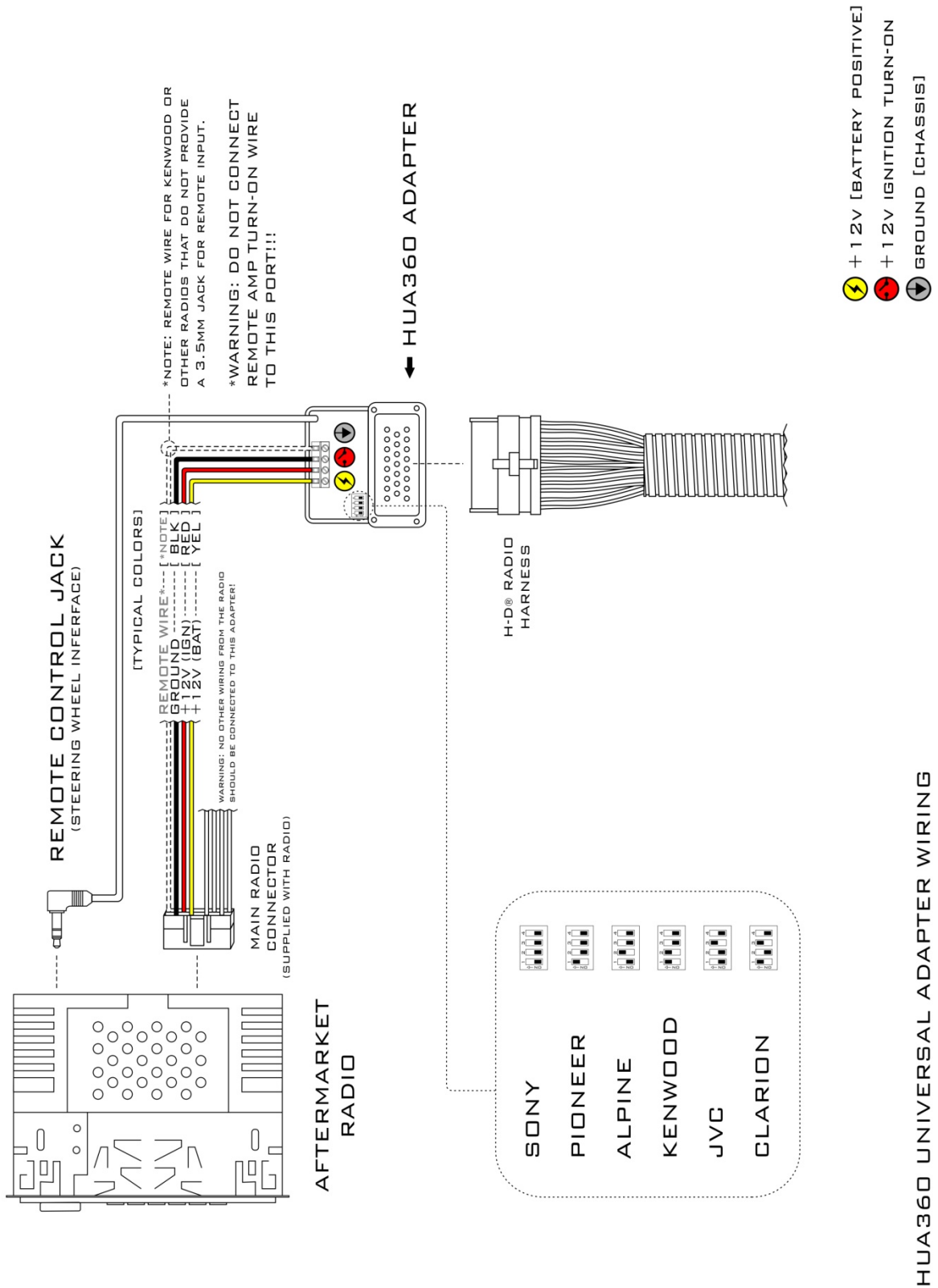


NOT ALL FUNCTIONS LISTED ARE AVAILABLE ON ALL MODELS OF SOURCE UNITS, AND SOME FUNCTIONS ONLY WORK IF THE SOURCE UNIT IS IN A SPECIFIC PLAYBACK MODE. CHECK WITH THE MANUFACTURER INSTRUCTIONS FOR YOUR BRAND/MODEL SPECIFIC FUNCTIONS AND CAPABILITIES.

USER GUIDE [CONTINUED]**TROUBLESHOOTING**

INFRACTION	PROBABLE CAUSE	RESTITUTION
SOURCE UNIT DOESN'T POWER ON (RADIO IS OFF)	<p>BATTERY WIRE IS NOT GETTING +12V TO THE SOURCE UNIT</p> <p>IGNITION WIRE IS NOT GETTING +12V TO THE SOURCE UNIT</p> <p>GROUND WIRE IS NOT GETTING CHASSIS GROUND TO THE SOURCE UNIT</p>	CHECK YOUR WIRING OF THE POWER TERMINAL BLOCK PLUG. THE IGNITION, BATTERY, AND GROUND WIRES SHOULD BE IN THEIR RESPECTIVE TERMINALS (SEE PAGE 3).
HAND CONTROLS DON'T WORK AT ALL OR DON'T FUNCTION PROPERLY	REMOTE CONTROL JACK IS NOT INSTALLED PROPERLY	MAKE SURE THAT THE REMOTE CONTROL JACK IS COMPLETELY SEATED INTO THE RECEPTACLE OF THE SOURCE UNIT.
	SOURCE UNIT SELECTION DIP SWITCH IS NOT CONFIGURED PROPERLY	<p>CHECK THE DIP SWITCH (SEE PAGE 3) FOR THE CORRECT SOURCE UNIT SETTING. THE SWITCH MUST BE CONFIGURED WITH POWER OFF (IGNITION OFF).</p> <p>ON POWER UP, THE ADAPTER LED FLASHES THE NUMBER OF TIMES THAT CORRELATES WITH THE SOURCE UNIT SELECTION DIP SWITCH CHART (SEE PAGE 3, ONCE FOR SONY, TWICE FOR PIONEER, ETC.).</p>
HAND CONTROLS USED TO WORK BUT NOW ARE INTERMITTENT OR FUNCTIONS WORK ON THE WRONG SWITCHES	WIRING ON THE BIKE IS SHORTING OUT OR DISCONNECTING	CHECK YOUR WIRING FROM THE HAND SWITCHES TO THE MAIN RADIO HARNESS FOR SHORTS OR OPENS.
	HAND CONTROL SWITCHES ON THE BIKE ARE STUCK OPEN OR CLOSED	DISASSEMBLE HAND CONTROL HOUSINGS ON THE HANDLE BARS AND INSPECT SWITCHES FOR PROPER FUNCTIONALITY.

SYSTEM DIAGRAM



SPECIFICATIONS

HUA360

WIRED REMOTE / STEERING WHEEL ADAPTER:..... SONY, PIONEER, ALPINE, KENWOOD, JVC, CLARION

BATTERY/GROUND POWER HANDLING: +12V @ 10A

IGNITION/GROUND POWER HANDLING:..... +12V @ 5A

ACCEPTABLE WIRE GAUGE: 30AWG - 12AWG

CASE DIMENSIONS: 2.50" W X 2.50" D X 1.75" H

REMOTE JACK: 3.5MM PHONO

EPOXY RESIN COATED WEATHERPROOF PRINTED CIRCUIT BOARD

SPECIFICATIONS ARE SUBJECT TO CHANGE WITHOUT NOTICE

WARRANTY INFORMATION

HAWG WIRED OFFERS A LIMITED WARRANTY OF OUR PRODUCTS ON THE FOLLOWING TERMS:

- **LENGTH OF WARRANTY**

1 YEAR ON AUDIO SYSTEMS, ELECTRONICS, SPEAKERS, AND ACCESSORIES (RECEIPT REQUIRED).

- **COVERAGE**

THIS WARRANTY COVERS ONLY THE ORIGINAL PURCHASER OF A HAWG WIRED PRODUCT PURCHASED FROM AN AUTHORIZED HAWG WIRED DEALER IN THE UNITED STATES. IN ORDER TO RECEIVE SERVICE, THE PURCHASER MUST PROVIDE HAWG WIRED WITH A COPY OF THE RECEIPT STATING THE CUSTOMER NAME, DEALER NAME, PRODUCT PURCHASED AND DATE OF PURCHASE.

- **DEFECTIVE PRODUCTS**

PRODUCTS FOUND TO BE DEFECTIVE DURING THE WARRANTY PERIOD WILL BE REPAIRED OR REPLACED (WITH A PRODUCT DEEMED TO BE EQUIVALENT) AT HAWG WIRED'S DISCRETION.

- **WHAT IS NOT COVERED**

DAMAGE CAUSED BY ACCIDENT, ABUSE, IMPROPER OPERATIONS, WATER, THEFT
 ANY COST OR EXPENSE RELATED TO THE REMOVAL OR REINSTALLATION OF PRODUCT
 SERVICE PERFORMED BY ANYONE OTHER THAN AN AUTHORIZED HAWG WIRED SERVICE CENTER
 ANY PRODUCT WITH THE SERIAL NUMBER OR TAMPER LABELS DEFACED, ALTERED, OR REMOVED
 SUBSEQUENT DAMAGE TO OTHER COMPONENTS
 ANY PRODUCT PURCHASED OUTSIDE THE U.S.
 ANY PRODUCT NOT PURCHASED FROM AN AUTHORIZED HAWG WIRED DEALER

- **LIMIT ON IMPLIED WARRANTIES**

ANY IMPLIED WARRANTIES INCLUDING WARRANTIES OF FITNESS FOR USE AND MERCHANTABILITY ARE LIMITED IN DURATION TO THE PERIOD OF THE EXPRESS WARRANTY SET FORTH ABOVE. SOME STATES DO NOT ALLOW LIMITATIONS ON THE LENGTH OF AN IMPLIED WARRANTY, SO THIS LIMITATION MAY NOT APPLY. NO PERSON IS AUTHORIZED TO ASSUME FOR HAWG WIRED ANY OTHER LIABILITY IN CONNECTION WITH THE SALE OF THE PRODUCT.

- **HOW TO OBTAIN SERVICE**

PLEASE CALL 510.894.2999 FOR HAWG WIRED CUSTOMER SERVICE. YOU MUST OBTAIN A RETURN MATERIAL AUTHORIZATION NUMBER (RMA) TO RETURN ANY PRODUCT TO HAWG WIRED. YOU ARE RESPONSIBLE FOR SHIPPING CHARGES OF RETURNED PRODUCTS TO HAWG WIRED.

- **MADE IN THE USA**

OUR PRODUCTS ARE PROUDLY DESIGNED, DEVELOPED AND BUILT IN THE USA*. THE MAJORITY OF THE COMPONENTS USED IN THE CONSTRUCTION OF OUR PRODUCTS ARE PRODUCED BY AMERICAN COMPANIES. HOWEVER, DUE TO THE GLOBAL NATURE OF MODERN MANUFACTURING AND THE ELECTRONICS INDUSTRY IN GENERAL, SOME PARTS MAY BE MANUFACTURED IN OTHER COUNTRIES.

*OUR SPEAKERS ARE PROUDLY DESIGNED AND DEVELOPED IN THE USA. HOWEVER, DUE TO THE GLOBAL NATURE OF LOUDSPEAKER MANUFACTURING, OUR SPEAKERS ARE MANUFACTURED IN OTHER COUNTRIES.

HAWG WIRED, INC.

CONTACT US BY EMAIL

GENERAL INFORMATION – info@hawg-wired.com
 SALES AND MARKETING – sales@hawg-wired.com
 TECHNICAL SUPPORT – support@hawg-wired.com

CONTACT US BY PHONE

MAIN 510.894.2999
 EFAX 510.217.6994

VISIT US ON THE WEB AT HAWG-WIRED.COM



COPYRIGHT © 2013 HAWG WIRED, INC. ALL RIGHTS RESERVED.

REV.3A PRINTED IN THE U.S.A.