

HSA150 ADAPTER

KIT CONTENTS

1 - HSA150 HARLEY TO SONY ADAPTER



INSTALLATION INSTRUCTIONS

1. TURN THE IGNITION OFF.

2. REMOVE THE FRONT FAIRING COVER.

TIP: REFER TO MANUFACTURER INSTRUCTIONS IF NECESSARY.

3. CONNECT THE HARLEY FACTORY RADIO HARNESS CONNECTOR TO THE ADAPTER (A).

4. CONNECT THE SONY HARNESS CONNECTOR (B) TO THE REAR OF THE SONY RADIO.

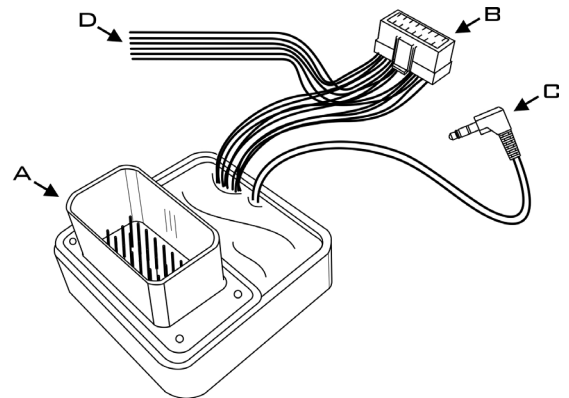
5. CONNECT THE 3.5MM PHONO JACK (C) TO THE REAR OF THE SONY RADIO.

TIP: MAKE SURE THE 3.5MM PHONO JACK IS INSERTED WITH THE PIGTAIL UPWARD.

6. PERFORM A FINAL SYSTEM TEST. TURN THE KEY TO THE ACCESSORY POSITION AND VERIFY THAT ALL COMPONENTS FUNCTION PROPERLY.

7. INSTALL THE FAIRING COVER.

TIP: REFER TO MANUFACTURER INSTRUCTIONS IF NECESSARY.



THIS ADAPTER UTILIZES THE SONY 16 PIN MAIN HARNESS CONNECTOR DEFINED AS FOLLOWS:

WIRE COLOR	FUNCTION	WIRE COLOR	FUNCTION
BLACK	GROUND	YELLOW	+12V MEMORY (CONSTANT)
RED	+12V POWER (SWITCHED)	N/A	
BLUE	ANTENNA REMOTE-ON	N/A	
BLUE/WHITE	AMPLIFIER REMOTE-ON	N/A	
GRAY	SPEAKER FRONT RIGHT +	GRAY/BLACK	SPEAKER FRONT RIGHT -
PURPLE	SPEAKER REAR RIGHT +	PURPLE/BLACK	SPEAKER REAR RIGHT -
GREEN	SPEAKER REAR LEFT +	GREEN/BLACK	SPEAKER REAR LEFT -
WHITE	SPEAKER FRONT LEFT +	WHITE/BLACK	SPEAKER FRONT LEFT -

TIP: ALWAYS COVER THE ENDS OF ANY UNUSED WIRES TO PREVENT SHORTING (D).

WARRANTY INFORMATION

HAWG WIRED OFFERS A LIMITED WARRANTY OF OUR PRODUCTS ON THE FOLLOWING TERMS:

• **LENGTH OF WARRANTY**

1 YEAR ON AUDIO SYSTEMS, ELECTRONICS, SPEAKERS, AND ACCESSORIES (RECEIPT REQUIRED).

• **COVERAGE**

THIS WARRANTY COVERS ONLY THE ORIGINAL PURCHASER OF A HAWG WIRED PRODUCT PURCHASED FROM AN AUTHORIZED HAWG WIRED DEALER IN THE UNITED STATES. IN ORDER TO RECEIVE SERVICE, THE PURCHASER MUST PROVIDE HAWG WIRED WITH A COPY OF THE RECEIPT STATING THE CUSTOMER NAME, DEALER NAME, PRODUCT PURCHASED AND DATE OF PURCHASE.

• **DEFECTIVE PRODUCTS**

PRODUCTS FOUND TO BE DEFECTIVE DURING THE WARRANTY PERIOD WILL BE REPAIRED OR REPLACED (WITH A PRODUCT DEEMED TO BE EQUIVALENT) AT HAWG WIRED'S DISCRETION.

• **WHAT IS NOT COVERED**

DAMAGE CAUSED BY ACCIDENT, ABUSE, IMPROPER OPERATIONS, WATER, THEFT
 ANY COST OR EXPENSE RELATED TO THE REMOVAL OR REINSTALLATION OF PRODUCT
 SERVICE PERFORMED BY ANYONE OTHER THAN AN AUTHORIZED HAWG WIRED SERVICE CENTER
 ANY PRODUCT WITH THE SERIAL NUMBER OR TAMPER LABELS DEFACED, ALTERED, OR REMOVED
 SUBSEQUENT DAMAGE TO OTHER COMPONENTS
 ANY PRODUCT PURCHASED OUTSIDE THE U.S.
 ANY PRODUCT NOT PURCHASED FROM AN AUTHORIZED HAWG WIRED DEALER

• **LIMIT ON IMPLIED WARRANTIES**

ANY IMPLIED WARRANTIES INCLUDING WARRANTIES OF FITNESS FOR USE AND MERCHANTABILITY ARE LIMITED IN DURATION TO THE PERIOD OF THE EXPRESS WARRANTY SET FORTH ABOVE. SOME STATES DO NOT ALLOW LIMITATIONS ON THE LENGTH OF AN IMPLIED WARRANTY, SO THIS LIMITATION MAY NOT APPLY. NO PERSON IS AUTHORIZED TO ASSUME FOR HAWG WIRED ANY OTHER LIABILITY IN CONNECTION WITH THE SALE OF THE PRODUCT.

• **HOW TO OBTAIN SERVICE**

PLEASE CALL 510.894.2999 FOR HAWG WIRED CUSTOMER SERVICE. YOU MUST OBTAIN A RETURN MATERIAL AUTHORIZATION NUMBER (RMA) TO RETURN ANY PRODUCT TO HAWG WIRED. YOU ARE RESPONSIBLE FOR SHIPPING CHARGES OF RETURNED PRODUCTS TO HAWG WIRED.

• **MADE IN THE USA**

OUR PRODUCTS ARE PROUDLY DESIGNED, DEVELOPED AND BUILT IN THE USA*. THE MAJORITY OF THE COMPONENTS USED IN THE CONSTRUCTION OF OUR PRODUCTS ARE PRODUCED BY AMERICAN COMPANIES. HOWEVER, DUE TO THE GLOBAL NATURE OF MODERN MANUFACTURING AND THE ELECTRONICS INDUSTRY IN GENERAL, SOME PARTS MAY BE MANUFACTURED IN OTHER COUNTRIES.

*OUR SPEAKERS ARE PROUDLY DESIGNED AND DEVELOPED IN THE USA. HOWEVER, DUE TO THE GLOBAL NATURE OF LOUDSPEAKER MANUFACTURING, OUR SPEAKERS ARE MANUFACTURED IN OTHER COUNTRIES.

HAWG WIRED, INC.

CONTACT US BY EMAIL

GENERAL INFORMATION – info@hawg-wired.com
 SALES AND MARKETING – sales@hawg-wired.com
 TECHNICAL SUPPORT – tech@hawg-wired.com

CONTACT US BY PHONE

MAIN 510.894.2999
 EFAX 510.217.6994

VISIT US ON THE WEB AT HAWG-WIRED.COM



COPYRIGHT © 2013 HAWG WIRED, INC. ALL RIGHTS RESERVED.
 REV.36 PRINTED IN THE U.S.A.